

When the power goes out,
will the generator start?

Not to worry.



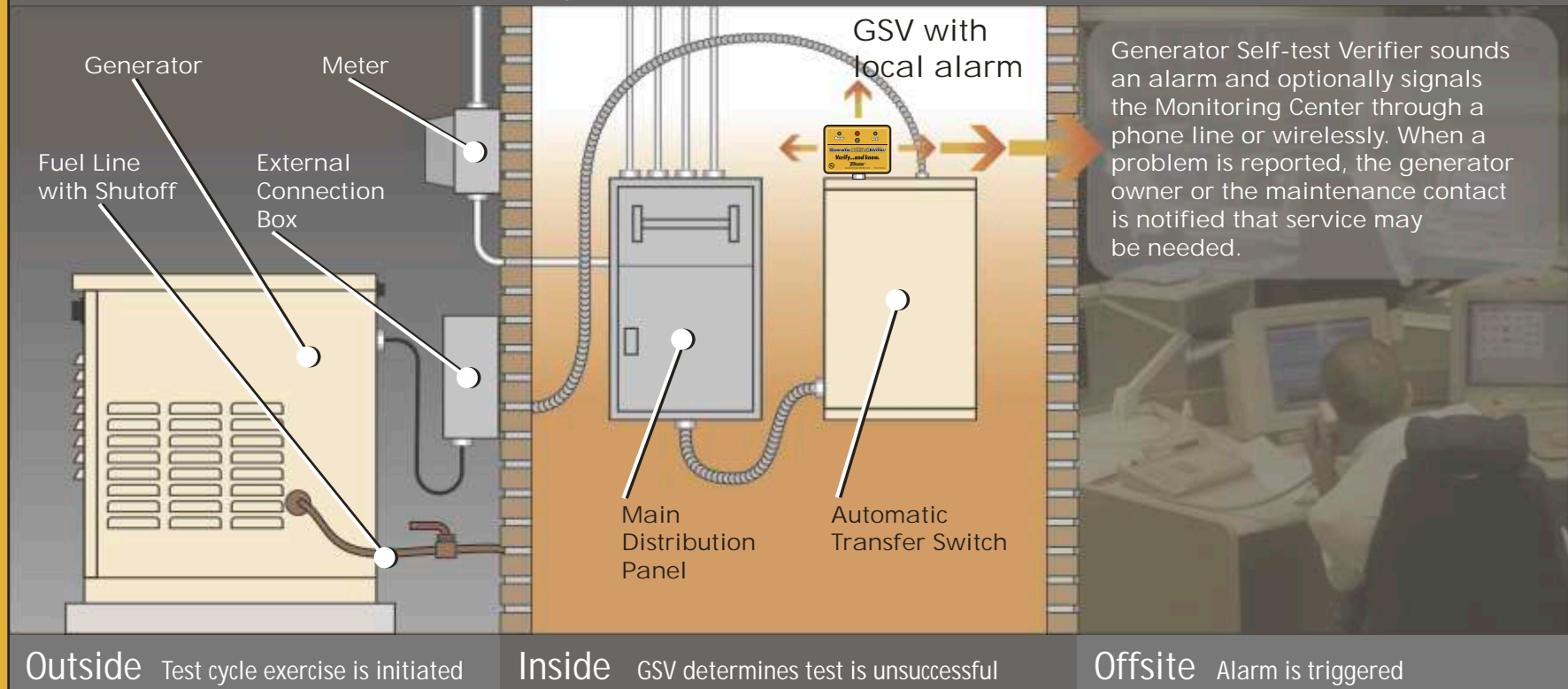
Generator **Self-test** Verifier

Verify...and know.



www.GeneratorVerifier.com

How it works when the generator auto-start self-test exercise isn't successful



If the power goes out, will your generator be ready?

Backup generators are designed to start up at regular intervals in order to "exercise" the engine and generator. The purpose is to be ready and able when needed. But, how do you know if the exercise was not successful? Without the GSV, you don't. You'll learn of the problem when it's too late: when the power has failed and you need your generator immediately.

Now, verification can be performed automatically and reliably.

The Generator Self-test Verifier (GSV) makes sure you'll know immediately if your generator is not performing as it should. Every time the generator runs it's self-test, the GSV monitors the test, making sure your backup power system is performing properly. If it doesn't produce the power it should, the GSV immediately sounds an audible alarm, and it won't stop until you reset the alarm.

And what if no one hears the alarm?

When the GSV's alarm sounds, it closes a set of contacts that can be wired to your security system to alert you or your monitoring center. No security system? With an optional module, and for a modest monthly monitoring charge, the GSV will notify our Monitoring Center if there is a problem. For remote locations without phone service, a wireless notification device is available.

Not to worry.

When an emergency such as a power outage occurs, the last thing you want is another problem. The purpose of a backup generator is to be ready for such emergencies. With the GSV, you'll have the confidence and peace of mind that your backup power will be there when you need it. Not to worry. The GSV helps you verify...and know.

Verify...and know.

Transtar Products
767 Warehouse Road, Suite C
Toledo, OH 43615

When the power
goes out, will the
generator start?

Not to worry.

Verify...and know.



Monitors voltage to confirm that the generator self-test was performed.

- 120V-208V-220V-277V-380V-480V

Simple to install and use.

- Licensed electrician suggested

Locally or remotely monitored.

- Option for wireless-no phone line needed

User programmable.

- 8-15-22 or 31 days

Generator Self-test Verifier

www.GeneratorVerifier.com

1-866-660-3900